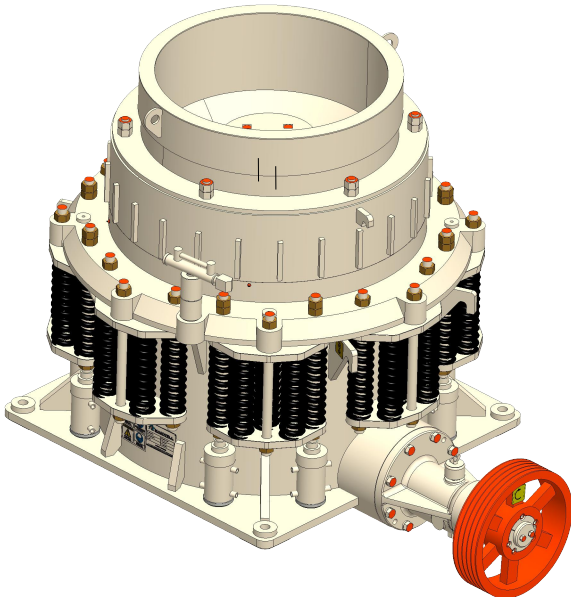
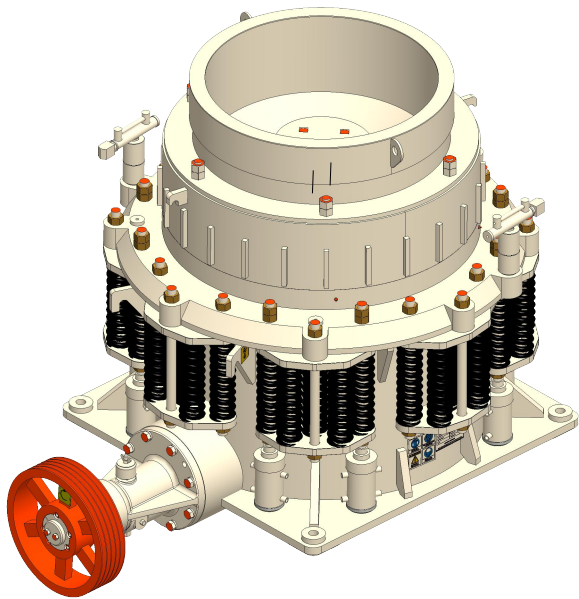


Cone Crusher SC 1000



Salient Features

- Proven Design (Symons Technology)
- Most Efficient & Economical Production
- Roughed Construction
- Advanced Lubrication System With Full Safety

Technical Detail

- Model Name : CONE SC 1000
- Cone Diameter (mm) : 1000
- Maximum Feed Size (mm) : 140
- CSS Range (mm) : 16 - 38
- Capacity Throughput (TPH) : 70 - 200
- Crusher Pulley RPM : 630
- Required Power (KW / HP) : 110 / 150



Note:

Feed Size Depends On CSS Setting Maintaining The Ration Of 4 From Feed Size To CSS Setting.

The Capacity Indicated Is Maximum Throughput Capacity Based On Continuous Regulated Fresh Feed Of Clean, Normal Hardness With A Bulk Density Of 1.6 Ton/M3. The Fresh Feed Must Be Dry Un-Segregated Homogeneous, Blasted Or Crushed Feed Without Clays And Other Deleterious Material. No Fraction Is Taken Out, No Fraction Is Manually Broken, And Blasting Pattern Should Be Normal With Standard Practices.

Capacity May Vary +/- 25% With The Size And Nature Of The Rock And The Working Conditions Of The Plant.

Throughput Capacity Is Calculated As Total Of Fresh Feed And Return Material From Screen.

Final Production Depends Upon CSS Setting, Fresh Feed Quantity & Fresh Feed Size.

The Detail Including Display, Construction, Technical Information, Etc. Are For Information Only And Subject To Change Without Prior Notice.

Scope Of Supply May Differ From The Display Presented Here And It Is Fully As Per The Commercial Offer.

MAXWELL CRUSHTECH

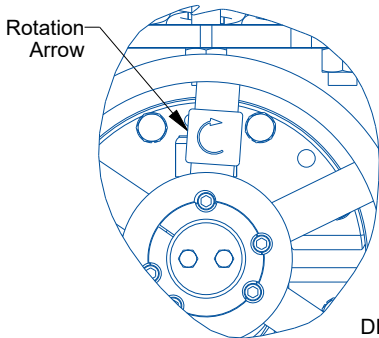
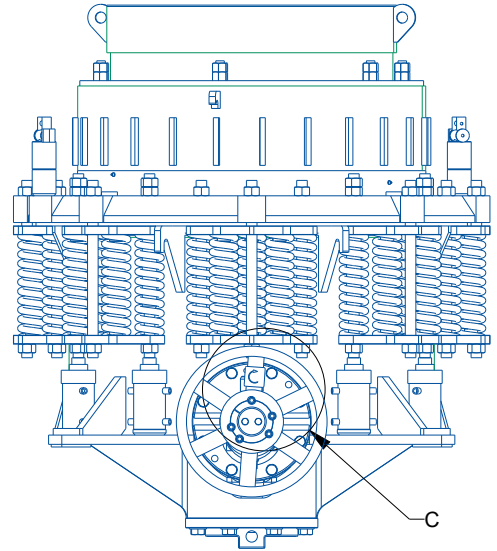
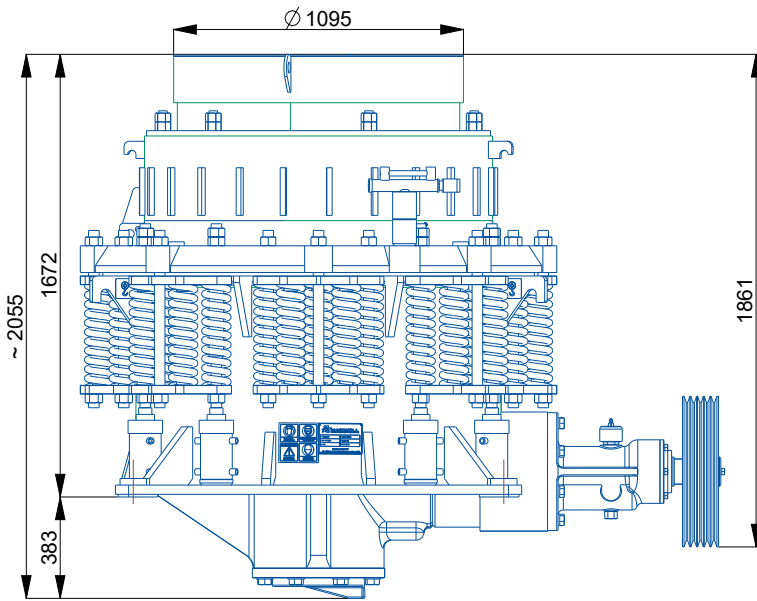
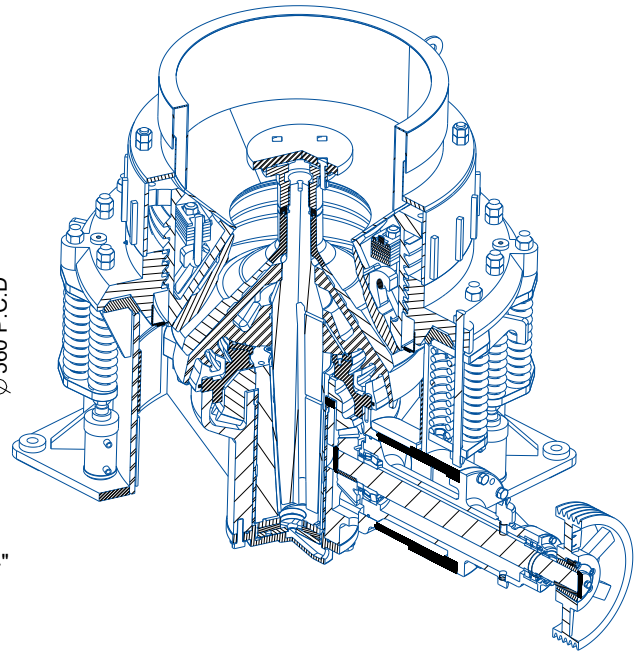
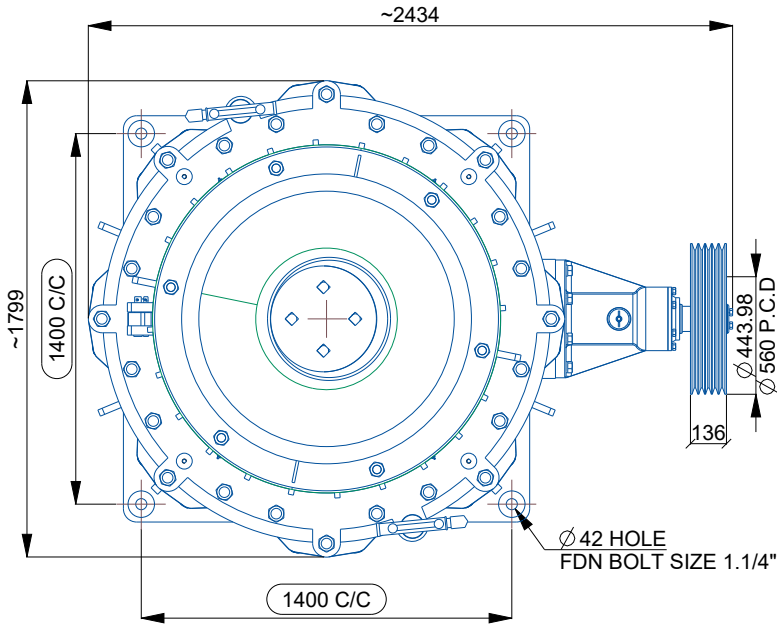
Unit-1: Block No.:188, Opp. Futura Engineering, Isand Road, At: Chhtral, Tal.: Kalol, Dist.: Gandhinagar, Gujarat-382729, INDIA.

Unit-2: 26, At.: Bibipura, Opp. Giriraj Petroleum, Tal.: Bayad, Dist.: Aravalli, Gujarat-383325, INDIA.

Mobile: +91-99251 25175 , +91-99252 45504

E-mail: maxwelldapatel@gmail.com , dpatel@maxwellcrushtech.com

General Arrangement Drawing



DETAIL VIEW C

Note: All Dimensions are in MM

TECHNICAL DATA	
Model Name	CONE SC 1000
Cone Diameter (mm)	1000
Maximum Feed Size (mm)	140
CSS Range (mm)	16 - 38
Crusher Pulley RPM	630
Required Power (KW / HP)	110 / 150
Motor (1500 RPM) Pulley Size	236mm PCD X 5 Groove - SPC Section
Recommended V Belt Size	SPC 3550

Note:
The Information Including Construction, Technical Detail
Are Subject To Change Without Prior Notice.
For Latest Information, Please Contact Us.