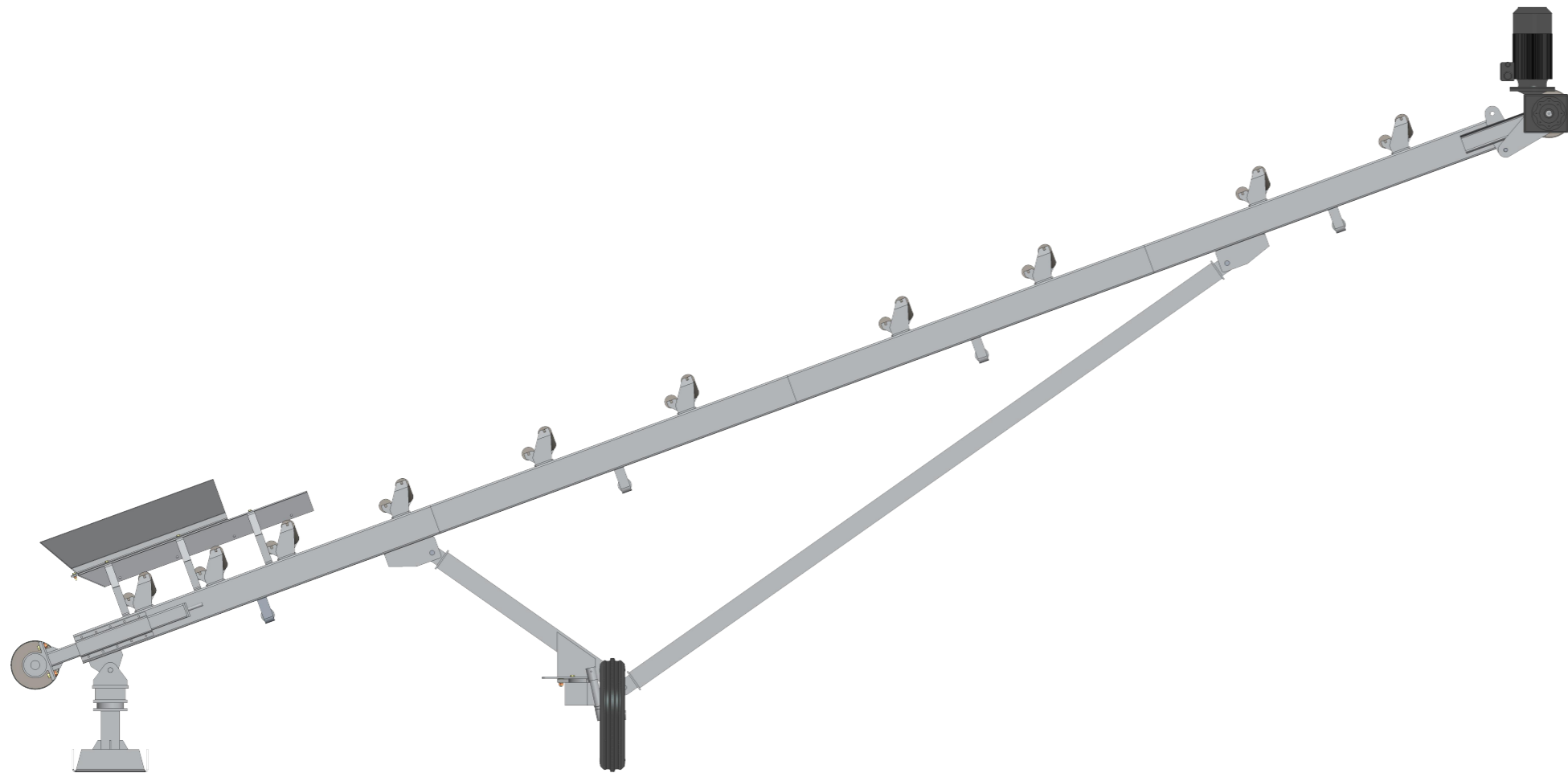


TOP VIEW



ISOMETRIC VIEW



SIDE VIEW



FRONT VIEW

WIDE CONVEYOR