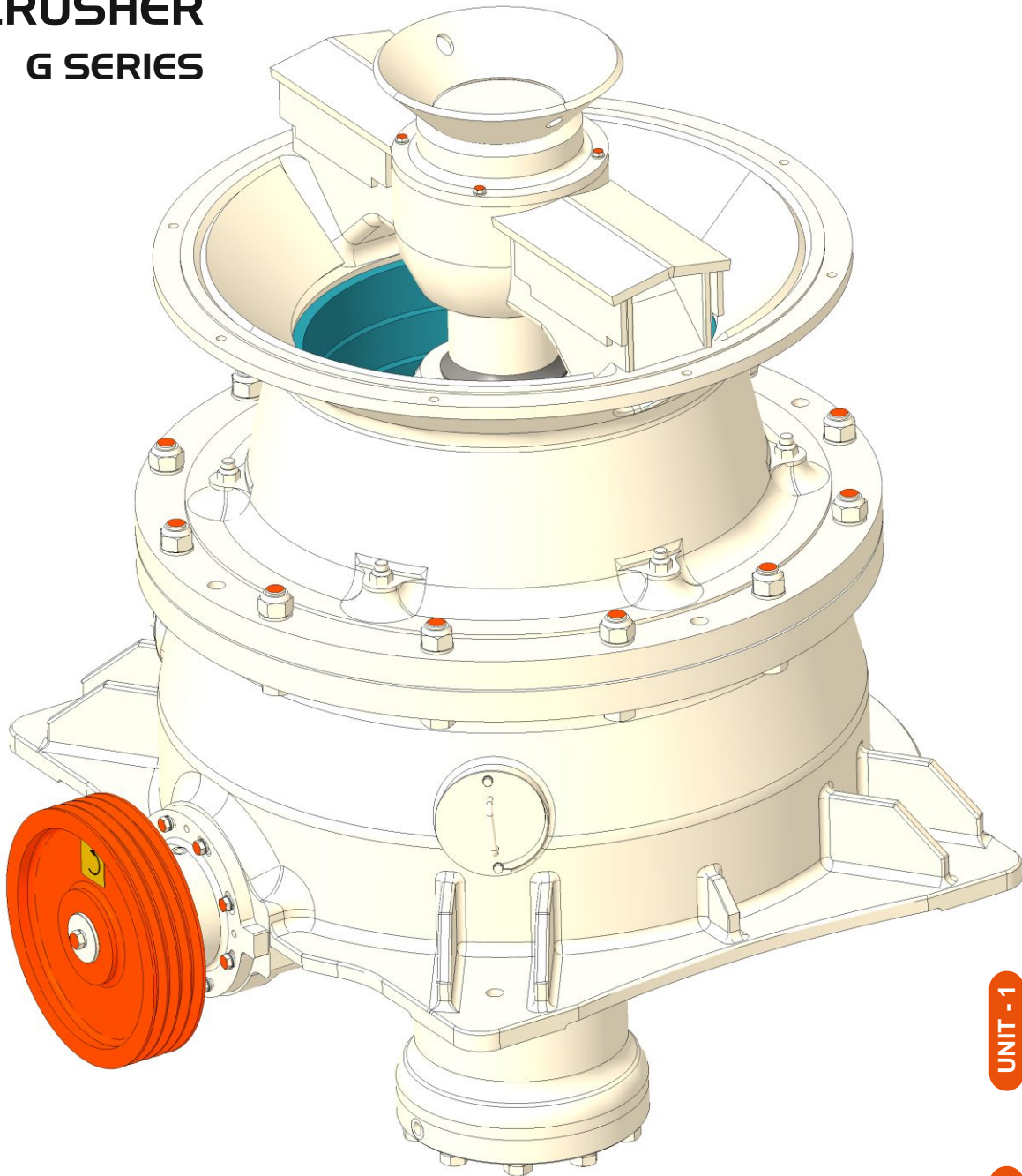


CONE CRUSHER

G SERIES



SALIENT FEATURES

- **ROBUST DESIGN**
- **EASY ADJUSTMENT FOR CSS SETTING**
- **RELIABLE DUST AND DIRT PROTECTION WITH DUAL DUST SEAL**
- **ADVANCED LUBRICATION SYSTEM WITH FULL SAFETY**

UNIT - 1



UNIT - 2

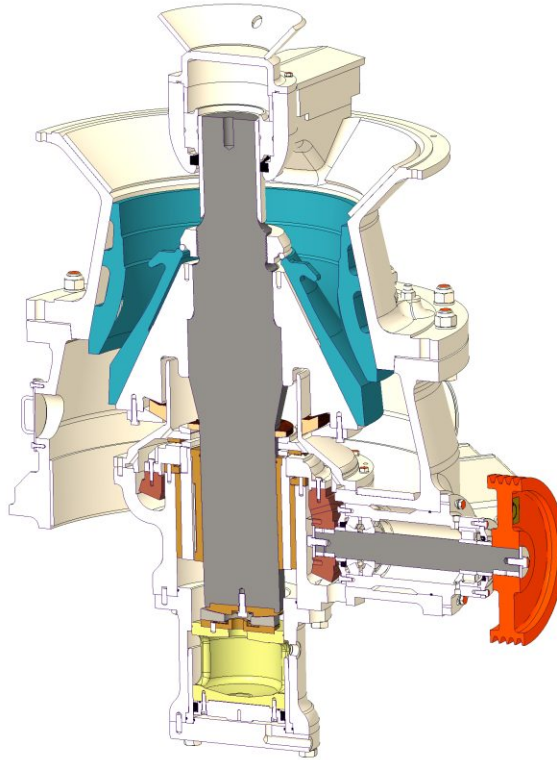


WEB



CONE CRUSHER

G SERIES



TECHNICAL DATA

Model Name	GC 0820	GC 0975	GC 1080	GF 0820	GF 0975	GF 1080
Cone Diameter (mm)	820	975	1080	820	975	1080
Maximum Feed Size (mm)	120	150	200	45	60	75
CSS Range (mm)	22 - 28	15 - 26	18 - 30	12 - 28	6 - 15	8 - 20
Throughput Capacity (TPH)	75 - 110	90 - 155	120 - 200	50 - 80	75 - 130	110 - 175
Crusher Pulley RPM	1015	1015	1015	1015	1015	1015
Required Power (KW / HP)	75 / 100	110 / 150	180 / 240	75 / 100	110 / 150	180 / 240

Note :-

- Feed Size Depends On CSS Setting Maintaining The Ratio Of 4 From Feed Size To CSS Setting.
- The Capacity Indicated Is Maximum Throughput Capacity Based On Continuous Regulated Fresh Feed Of Clean, Normal Hardness With A Bulk Density Of 1.6 Ton/M³. The Fresh Feed Must Be Dry Un-Segregated Homogeneous, Blasted Or Crushed Feed Without Clays And Other Deleterious Material. No Fraction Is Taken Out, No Fraction Is Manually Broken, And Blasting Pattern Should Be Normal With Standard Practices.
- Capacity May Vary +/- 25% With The Size And Nature Of The Rock And The Working Conditions Of The Plant.
- Throughput Capacity Is Calculated As Total Of Fresh Feed And Return Material From Screen.
- Final Production Depends Upon CSS Setting, Fresh Feed Quantity & Fresh Feed Size.
- The Detail Including Display, Construction, Technical Information, Etc. Are For Information Only And Subject To Change Without Prior Notice.
- Scope Of Supply May Differ From The Display Presented Here And It Is Fully As Per The Commercial Offer.

MAXWELL CRUSHTECH

📍 UNIT-1 : Block No. 188, Opp. Futura Engineering, Isand Road, At.: Chhatral, Tal.: Kalol, Dist.: Gandhinagar, Gujarat-382729, INDIA.

📍 UNIT-2 : 26, At.: Bibipura, Opp. Giriraj Petroleum, Tal.: Bayad, Dist.: Aravalli, Gujarat-383325, INDIA.

☎ : +91-99251 25175, +91-99252 45504

✉ : maxwelldapatel@gmail.com , dapatel@maxwellcrushtech.com